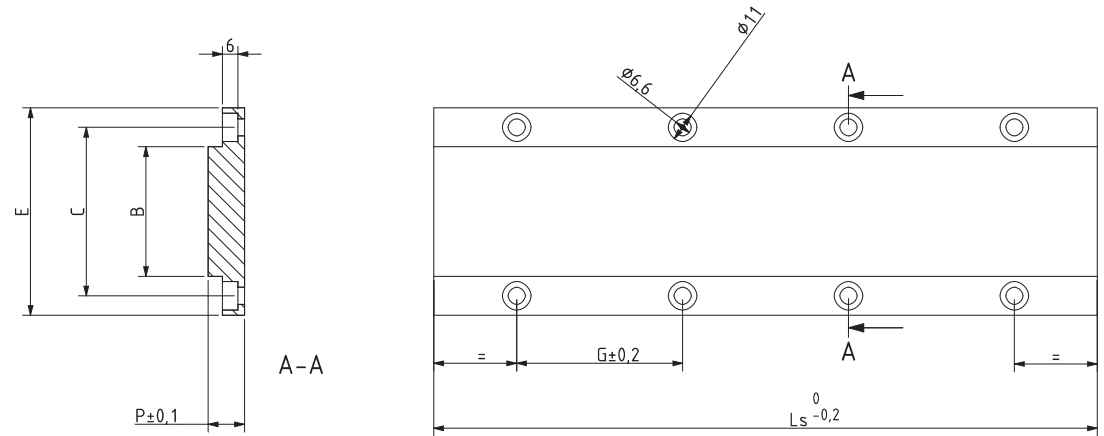


Secondary L

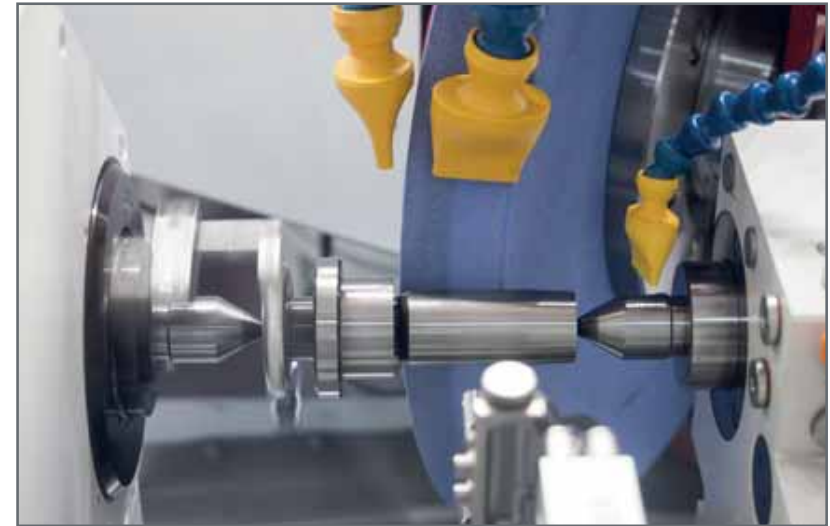


Motor Code | Motortyp | Codice Motore

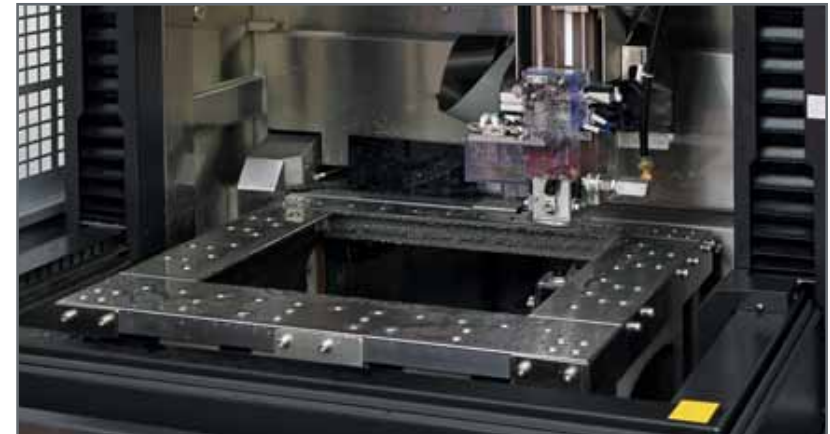
Parameter name		Unit	Symbol	L030S					L050S				
Mechanical	Number of slots			0416	0816	1616	3216	6416	0416	0816	1616	3216	6416
	Secondary part height	mm	P	14					14				
		inches		0,55					0,55				
	Fixing hole pitch	mm	G	-	64	3x64	7x64	15x64	-	64	3x64	7x64	15x64
		inches		-	2,52	3x2,52	7x2,52	15x2,52	-	2,52	3x2,52	7x2,52	15x2,52
	Secondary part length	mm	Ls	64	128	256	512	1024	64	128	256	512	1024
		inches		2,52	5,04	10,08	20,16	40,31	2,52	5,04	10,08	20,16	40,31
	Secondary part magnet width	mm	B	30					50				
		inches		1,18					1,97				
	Secondary part width	mm	E	60					80				
inches			2,36					3,15					
Secondary part fixing hole pitch	mm	C	45					65					
	inches		1,77					2,56					
Secondary part weight	Kg		0,34	0,68	1,36	2,72	5,43	0,47	0,95	1,89	3,8	7,58	

Parameter name		Unit	Symbol	L100S					L150S					L200S				
Mechanical	Number of slots			0416	0816	1616	3216	6416	0416	0816	1616	3216	6416	0416	0816	1616	3216	6416
	Secondary part height	mm	P	14					14					14				
		inches		0,55					0,55					0,55				
	Fixing hole pitch	mm	G	-	64	3x64	7x64	15x64	-	64	3x64	7x64	15x64	-	64	3x64	7x64	15x64
		inches		-	2,52	3x2,52	7x2,52	15x2,52	-	2,52	3x2,52	7x2,52	15x2,52	-	2,52	3x2,52	7x2,52	15x2,52
	Secondary part length	mm	Ls	64	128	256	512	1024	64	128	256	512	1024	64	128	256	512	1024
		inches		2,52	5,04	10,08	20,16	40,31	2,52	5,04	10,08	20,16	40,31	2,52	5,04	10,08	20,16	40,31
	Secondary part magnet width	mm	B	100					150					200				
		inches		3,94					5,91					7,87				
	Secondary part width	mm	E	130					180					230				
inches			5,12					7,09					9,06					
Secondary part fixing hole pitch	mm	C	115					165					215					
	inches		4,53					6,50					8,46					
Secondary part weight	Kg		0,80	1,6	3,2	6,4	12,8	1,31	2,62	5,25	10,5	21	1,70	3,4	6,81	13,62	27,24	

Motor Code | Motortyp | Codice Motore



L075S					Simbolo Symbol	Unità Einheit	Parameter	Nome Parametri
0416	0816	1616	3216	6416	P	mm inches	Anzahl der Nuten des Primärteils	Numero di slot
14							Sekundärteil Höhe	Altezza secondario
0,55					G	mm inches	Befestigungsbohrbild	Passo fori fissaggio
-	64	3x64	7x64	15x64			Ls	mm inches
-	2,52	3x2,52	7x2,52	15x2,52	B	mm inches		
64	128	256	512	1024			E	mm inches
2,52	5,04	10,08	20,16	40,31	C	mm inches		
75							Kg	Kg
2,95								
105								
4,13								
90								
3,54								
0,64	1,28	2,56	5,12	10,24				



L250S					Simbolo Symbol	Unità Einheit	Parameter	Nome Parametri
0416	0816	1616	3216	6416	P	mm inches	Anzahl der Nuten des Primärteils	Numero di slot
14							Sekundärteil Höhe	Altezza secondario
0,55					G	mm inches	Befestigungsbohrbild	Passo fori fissaggio
-	64	3x64	7x64	15x64			Ls	mm inches
-	2,52	3x2,52	7x2,52	15x2,52	B	mm inches		
64	128	256	512	1024			E	mm inches
2,52	5,04	10,08	20,16	40,31	C	mm inches		
250							Kg	Kg
9,84								
285								
11,22								
270								
10,63								
2,11	4,22	8,45	16,9	30				

